

# CYLINDERTEL

- Integrated pressure transducer
- Integrated residual pressure valve
- Compliant with any protection safety guards and caps
- Integrated IoT terminal unit for remote telemetry
- Data transmission technology: NB-IoT or SigFox
- Remote programming by CrioSystemSupervisor platform
- Low level alarm remote transmission and notification

Typical applications:

- Remote monitoring for compressed gas cylinders



Industrial valve for gas cylinders with

Remote Monitoring

REMOTE MONITORING

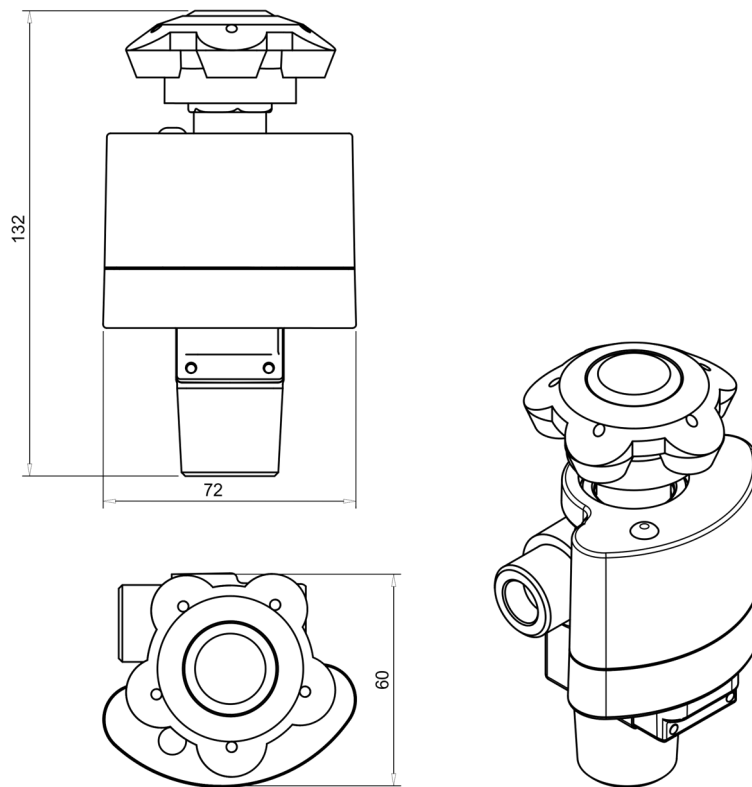
IoT Solution

## TECHNICAL SPECIFICATIONS

Gas Type	O2, Ar, N2, He, CO2, Air with threaded connection 25E (EN 629-1)
Upper limit working pressure	230 bar
Inline residual pressure	3-4 bar
Materials	Valve body: Brass CW617N EN12165 (finish: chrome plating) Handwheel: Polished aluminum Seat: PA Zytel 101F O-ring: FKM Electronic housing: Resin high performance IP66
Visual indications	none
Cylinder connections	E25E
Outlet connection	Dependent on specific media
Data transmission	NB-IoT / SigFox
Transmission frequency of updates	Programmable 1-24/day
Information sent to remote	Cylinder pressure, ambient temperature, battery status, NB-IoT/ SigFox signal strength, geolocation by LTE E-CELLID (NB-IoT)
Battery	LTC
Battery autonomy	10 years with daily transmission @ temperature +15/+40 °C
Operating Temperature	-15...50 °C
Reference standards and directives	π according T-PED, 2010/35/UE, 2008/68/EC (ADR/RID 2019), R&TTE 2014/53/EU, EMC 2014/30/EU, RoHS 2011/65/EU



## DIMENSIONS



dimensions in mm

## PRODUCT CODES

CODE	DESCRIPTION
0001-26-1XXX	<b>CylinderTEL NB-IoT:</b> Industrial valve with NB-IoT terminal unit
0001-26-2XXX	<b>CylinderTEL SigFox:</b> Industrial valve with SigFoxT terminal unit
0001-26-YXXX	Type of gas (eg: 0001-26-1CO <sub>2</sub> ) version with NB-IoT for CO <sub>2</sub> gas

Product designed and developed in partnership with:

